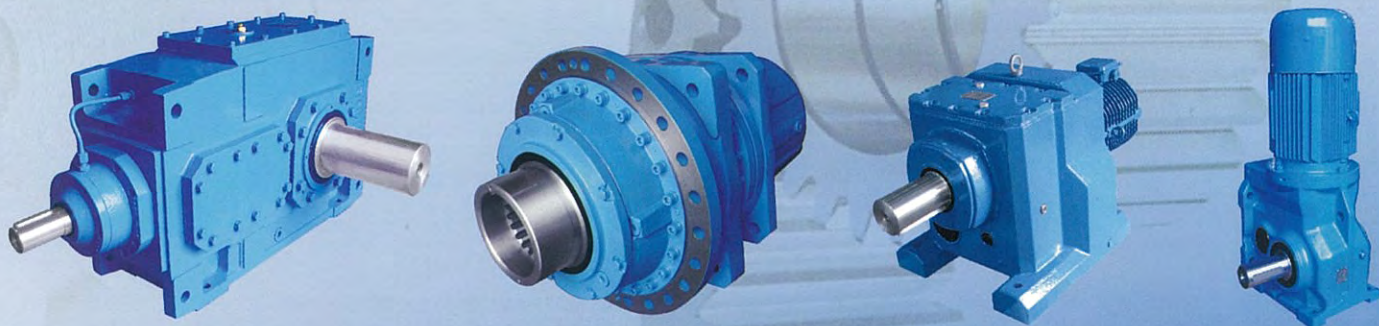


**BONENG**<sup>®</sup> TRANSMISSION



EXCELLENT QUALITY AND PROMPT SERVICE

**BONENG TRANSMISSION PRODUCTS**



[www.motiontech.com.au](http://www.motiontech.com.au)

## BONENG, AN EXCELLENT MANUFACTURER IN TRANSMISSION FIELD

Located in Gurgaon of Haryana, the sub-branch of BONENG, Boneng Transmission (India) Pvt Ltd, founded on January 2008. With its fulfilment to the pompt delivery and customers, BONENG assembly plant in India will be established according to the plan.



Boneng Transmission (Headquarter),found on 1992 with an area of 20,000 m<sup>2</sup>.



Boneng Transmission(Suzhou)Co.,Ltd covers the area of 150,000m<sup>2</sup>. The first project of factory entered into use in 2008.

### Design :

2-dimensional, 3-dimensional and ANS design software are adopted in R&D. Types, torque and ratio of gear units are classified via degression to avoid power loss. Modular design applied in housing, gears, and shaft are suitable for mass production and large quantities are held in stock for expedient delivery and variable type selection. Strong design ability and practical experience enable Boneng company to supply custom types according to customer application. Boneng techniques and product markets have reached a national leading position.



## Characteristics:

- Unitary one piece housings are made of HT250 with good rigidity and light vibration. Housing designs permit easy enhancement of shaft rigidity and demands for increased bearing life requirements. Streamline outer design and sound absorbing inner structure of cast housing is fit for forced cooling and reducing noise.
- Aluminum die-cast housing is light-weight and good for heat-dissipating.
- Welded housings are adopted for small quantities and larger sizes.
- Gears are made of 20CrMnTiH or 17CrNiMo6, processed via carburization and quench hardening, Hardness reaches HRC 60 and precision GBT5 ~ 6 up to GBT3 for special requirements. Modification of tooth and top profile lower noise and increase the loading capacity. The grinding to roots of heavy duty gears improves further its loading capacity.



- Worm wheels are made of bronze alloy via eccentric casting process, to enhance the abrasion resistance and lengthen its lifetime.
- Worms and threads are made of Steel Alloy via quenching and grinding process. with optimisation of designs to improve efficiency.
- Wear-resistant bearings are applied to friction pairs.

- Shafts are made of heat treated alloy steel.
- Bearings and seals are purchased from international and national famous brand companies (such as NSK, SKF).
- Standard processes ensure 100% of all products are strictly checked prior to despatch.



## High-precision machines and testing facilities as follows:

- Generating machine: MODUL(Germany), LIEBHER(Switzerland). Gear slotter: YICHANG CHANGJIANG MACHINE TECHNOLOGY(China).
- Worm grinding machine: REISHAUER(Switzerland), QINCHUAN(China). CNC grinding machine: HOFLER
- Hopping machine: TIANJIN NO.1 MACHINE TOOL WORKS(China). CNC bevel gear grinding machine: GLEASON(USA), HUNAN ZDCY CNC EQUIPMENT(China).
- MAZAK(Japan) horizontal and vertical CNC machining center.
- Grinding machine: LINDNER(Germany), HANJIANG MACHINE TOOL(China)
- Measuring machine: GLOBAL STATUS(USA), HARBIN MEASURING & CUTTING TOOL(China)



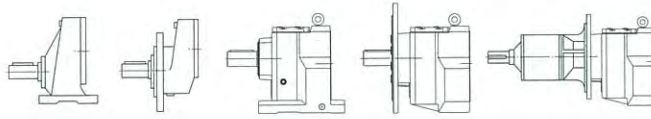
# BONENG TRANSMISSION MODULAR DESIGN

## General Gear Units

### C, CR series (Helical Gear Units)



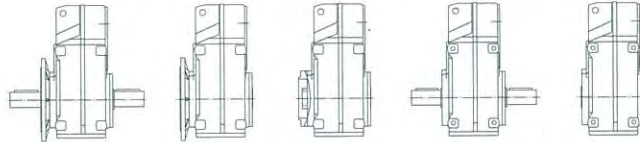
P1:0.12-160kW  
i:1.6-264(imax 18125)  
M2max=14800Nm



### F series (Parallel Shaft Helical Gear Units)



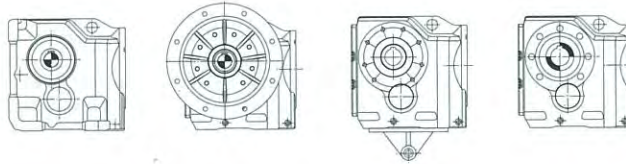
P1:0.12-200kW  
i:4.3-273(imax 18509)  
M2max=15000Nm



### K series (Helical-bevel gear units)



P1:0.12-200kW  
i:8.1-191(imax 13459)  
M2max=42000Nm

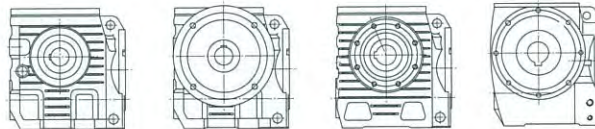


## Worm Gear Units

### S series (Helical-worm gear units)



P1:0.12-45kW  
i:23.8-389(imax 26688)  
M2max=10200Nm

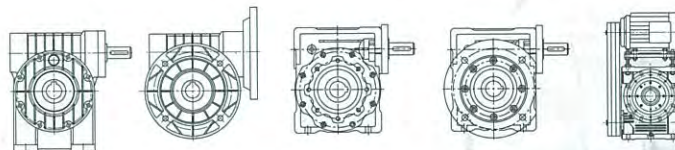


### R series [Worm gear units(Cast aluminium box)]

### RV series [Worm gear units(Cast iron box)]



P1:0.12-45kW  
i:6-80(imax 4600)  
M2max=9000Nm

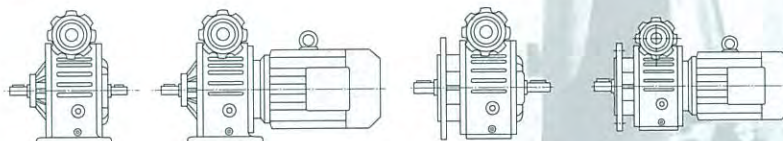


## Variable Speed Driver

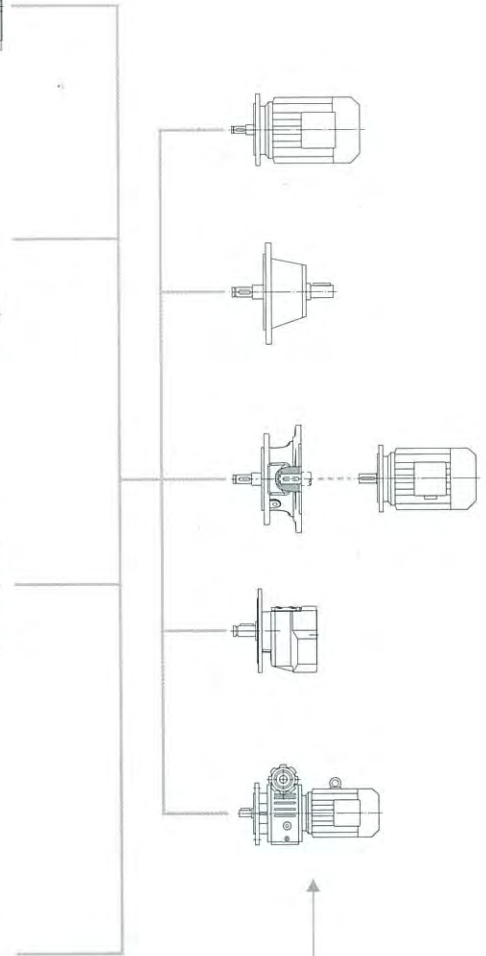
### MBseries (Variable drive)



P1:0.18-22kW  
M2max=352Nm  
n<sub>max</sub>

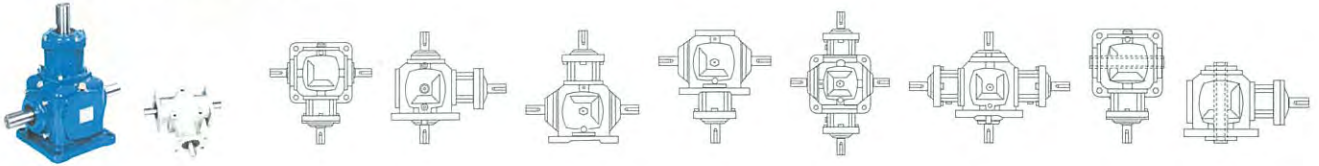


Basic speed range: 200-1000 rpm



## Bevel Gear Units

T series (Bevel Gear Units)



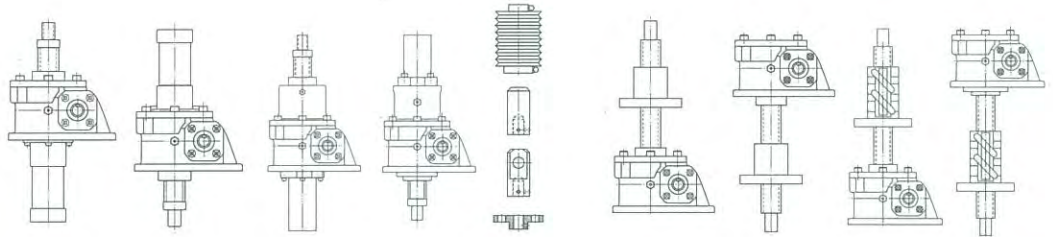
P1:0.015-335kW  
i:1, 1.5, 2, 2.5, 3, 4, 5  
M2max=3378Nm

## Screw Jack

JW series (Screw Jack)



Ability of load: 1.96-980kN



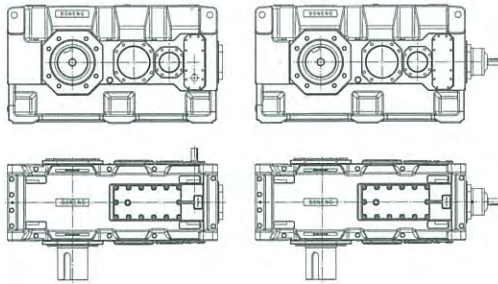
## Industrial Gear Units

H series (Helical Gear Units)

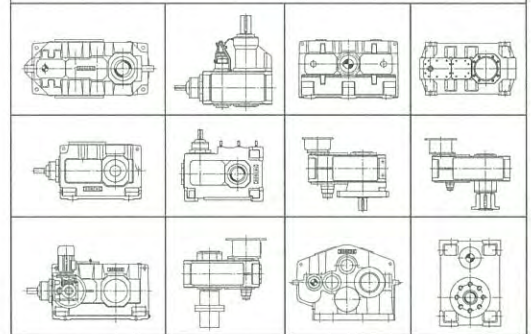
B series (Bevel-helical Gear Units)



P1:4-5000kW  
i:1.25-450  
M2max=900kNm



HB series combination and special design

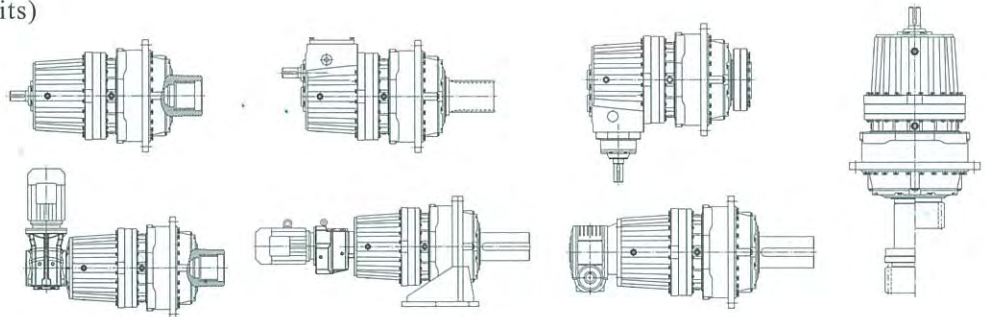


## Planetary Gear Units

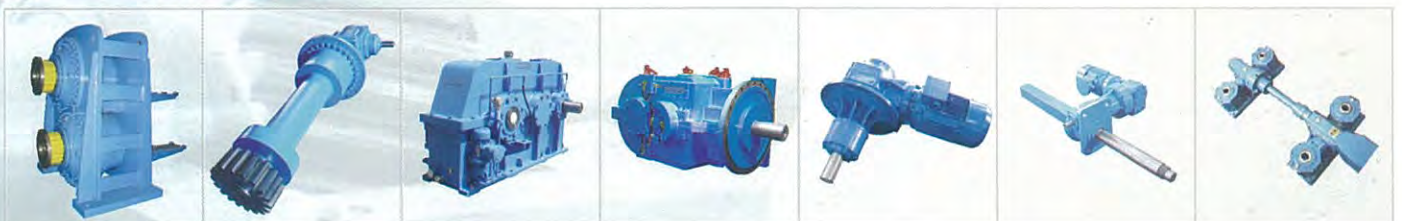
P series (Planetary gear units)



P1:0.4-9551kW  
i:25-4000  
M2max=1920kNm

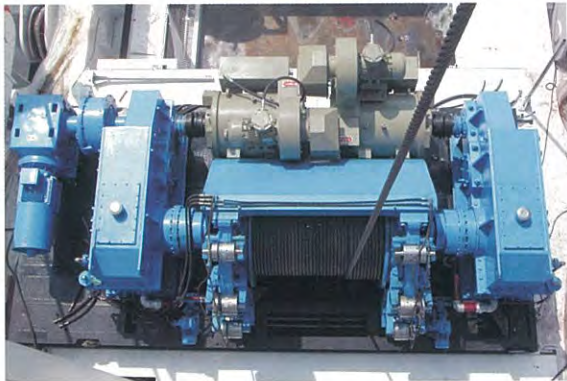


## Special Design Products



## Utilization Of Products

A wide range of industrial applications, e.g. metallurgy, light industry, food processing, packing, petroleum, pharmacy, chemical industry, mining, construction industry, electric power, environment protection, crane transportation, tobacco, solid parking, rubber and plastic industry, textile, printing and dyeing, lumbering, pottery and porcelain, elevator, wind power, road, bridge and harbor, etc have shown their excellent performances. Transmission experts and technicians at headquarter and regional offices will make a prompt response to your any consultation and offer you our perfect services.







Please call us for more details!



**Distributors for Australia & New Zealand**

**MOTION TECHNOLOGIES PTY LTD**

24/22-30 Northumberland Road  
Caringbah NSW 2229 Australia

Phone: (02) 9524 4782

Fax: (02) 9525 3878

[sales@motiontech.com.au](mailto:sales@motiontech.com.au)

[www.motiontech.com.au](http://www.motiontech.com.au)

© 02/04/19

[www.boneng.com](http://www.boneng.com)

